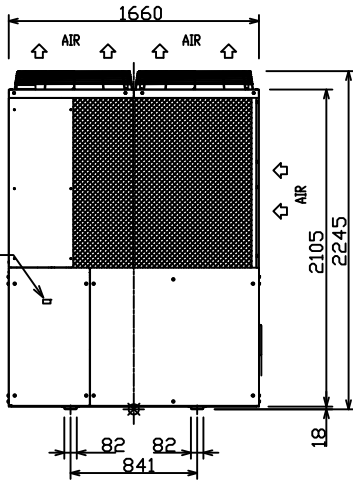
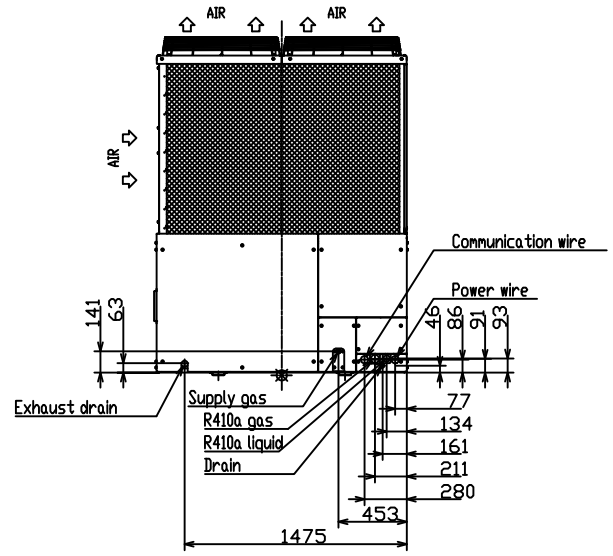


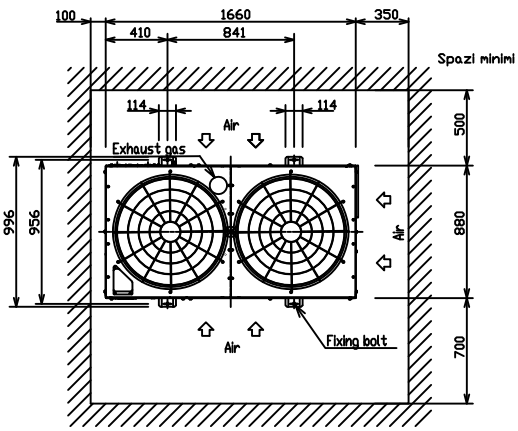
FRONT



REAR



TOP



SIDE

