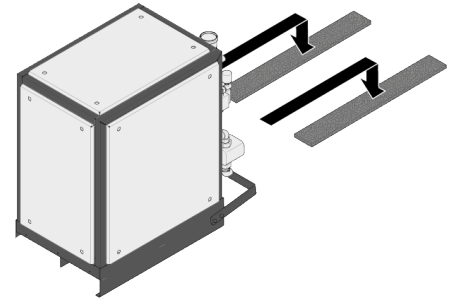


Structure-borne sound decoupling

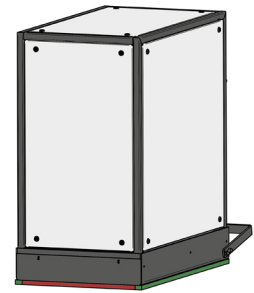
Low requirements / Balance strips

For low sound requirements, such as in industry, balance strips are sufficient. These balance strips are included in the scope of delivery.



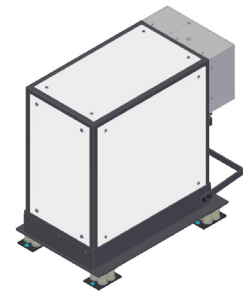
Medium requirements / Sylodyn strips

Sylodyn strips are recommended for medium sound requirements, such as in old buildings without adjacent sleeping or living areas. The Sylodyn strips are specially designed for the frequency of the machine.



High requirements / Spring block element set

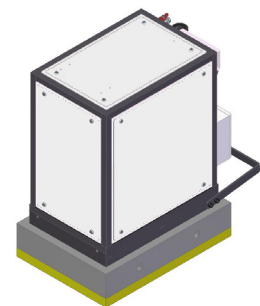
In sensitive living areas and in new buildings, we recommend the spring block elements for damping structure-borne sound and vibration.



High requirements / Foundation construction

Alternatively, a foundation can also be used. In this case, we recommend direct contact with a specialist company; they will check the foundation structure and create individual solutions.

A specialist company or the architect/planner should be consulted for the design and construction of the foundation. For the design, data on the foundation load by the CHP unit and the natural frequency can be provided.



To find the best possible structure-borne sound decoupling for you,
please contact your planner or architect.