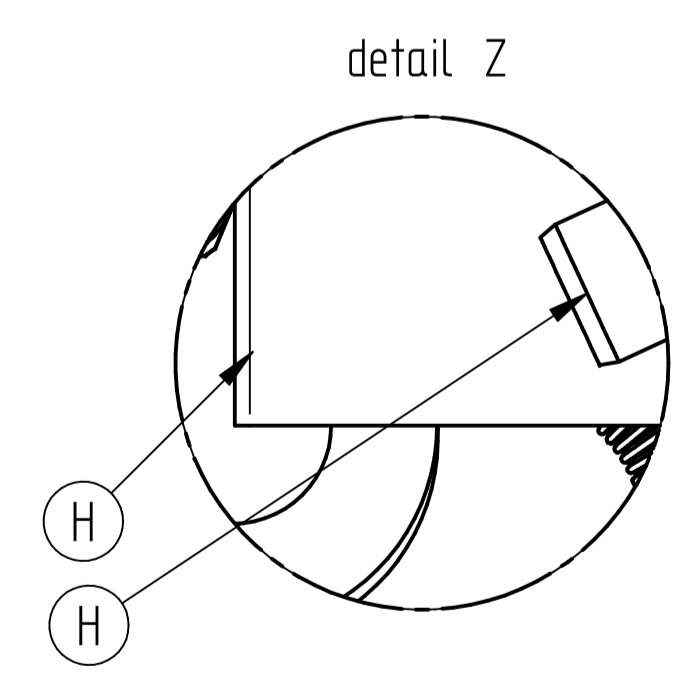


1:10



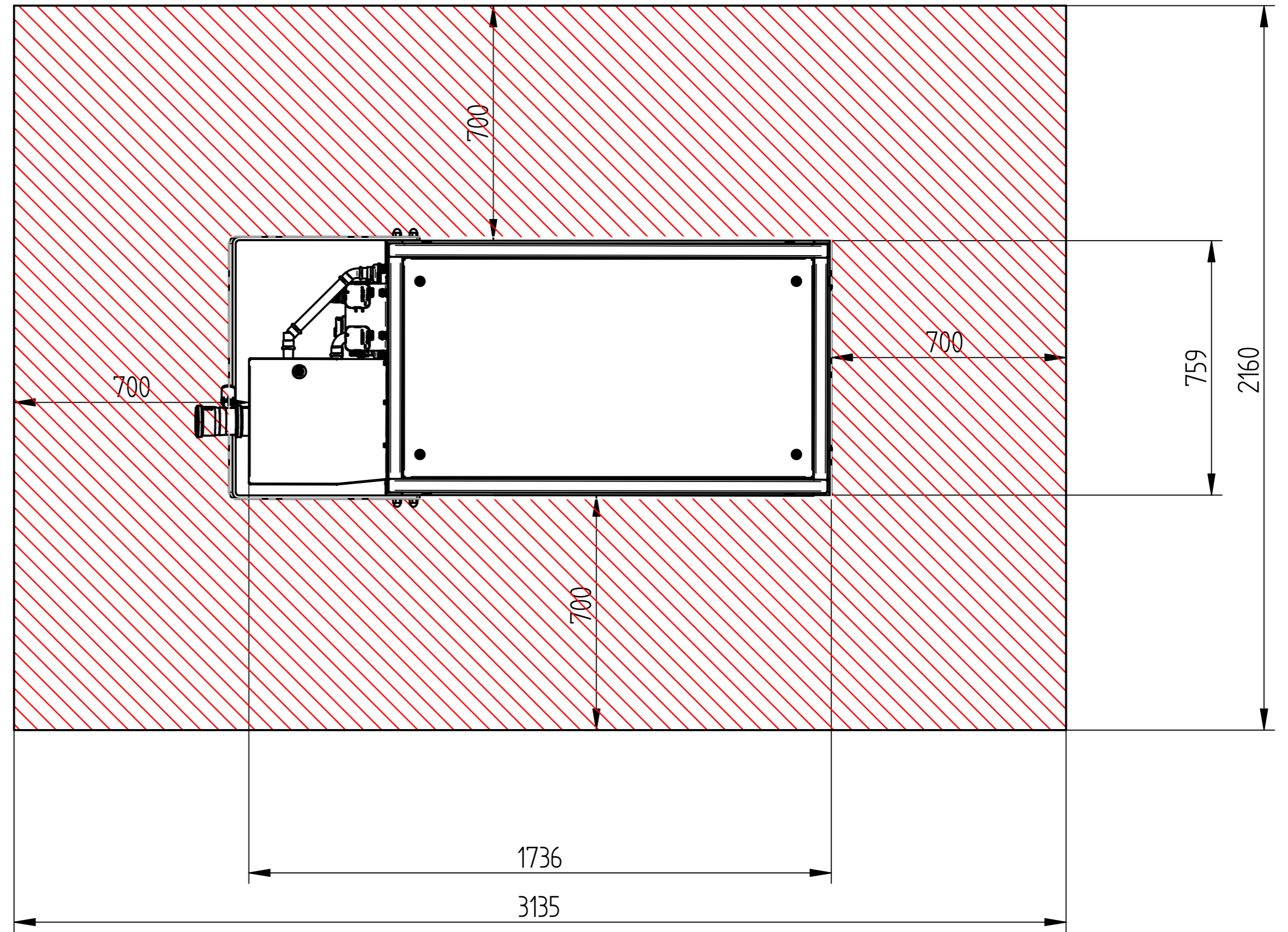
Deutsch		
Position	Bezeichnung	Anschlussstyp
A	Abgas	DN80
B	Rücklauf	1" AG
C	Vortlauf	1" AG
D	Brenngas	1" AG
E	Abluft	DN160
F	Schutzbügel (demontierbar)	
G	MAG Anschlussgruppe	3/4" AG
H	Kondensat	3/4" AG
I	Zuluft	

English		
position	designation	connection type
A	flue gas	DN80
B	flow return	1" AG
C	flow heating	1" AG
D	fuel gas	1" AG
E	exhaust air	DN160
F	transport protection (removeable)	
G	expansion vessel	3/4" AG
H	condensate	3/4" AG
I	supply air	

ATTENTION Drawing data is for information purpose only. Information on other dimensions and bending allowances do not displace the checker from responsibility.		Tolerances according	weight 1038,0 kg	scale 1:6	particularity
				title 25,0/30,0 kW (el)	
		This drawing must not be copied, forwarded, reproduced or otherwise used in any other way.		part number:	row part number:
ind.	modification	date	name	origm	modification
					current index
					material, thickness
					sheet 1 2 sheets

Mindestanforderung freier Wartungsraum
(Minimum maintenance room)

Mindestanforderung freier Wartungsraum
über BHKw 700mm
(Minimum maintenance room above CHP 700mm)



Sollten die Mindestanforderung nicht eingehalten werden können,
nehmen Sie bitte Kontakt zum Hersteller auf,
um Lösungsmöglichkeiten abzusprechen.
If the minimum requirement can not be met,
please contact the manufacturer to discuss possible solutions.

<small>ATTENTION</small> <small>Unwinding data is for information purposes only! Information on outer dimensions and bending allowances do not dismis the checker from inspection!</small>				<small>Tolerances according:</small>		<small>weight:</small> 1038,0 kg		<small>scale: 1:12</small>		<small>particularity:</small>	
						<small>material:</small>		<small>title:</small> 25.0/30.0 kW (eU)		<small>part number:</small>	
<small>This drawing must not be copied, forwarded, reproduced or otherwise used in any other way.</small>				<small>current index:</small>		<small>material thickness:</small>		<small>sheet:</small> 2		<small>2 sheets</small>	
<small>ind.</small>	<small>modification</small>	<small>date</small>	<small>name</small>	<small>origin:</small>	<small>modification:</small>	<small>current index:</small>	<small>material thickness:</small>				