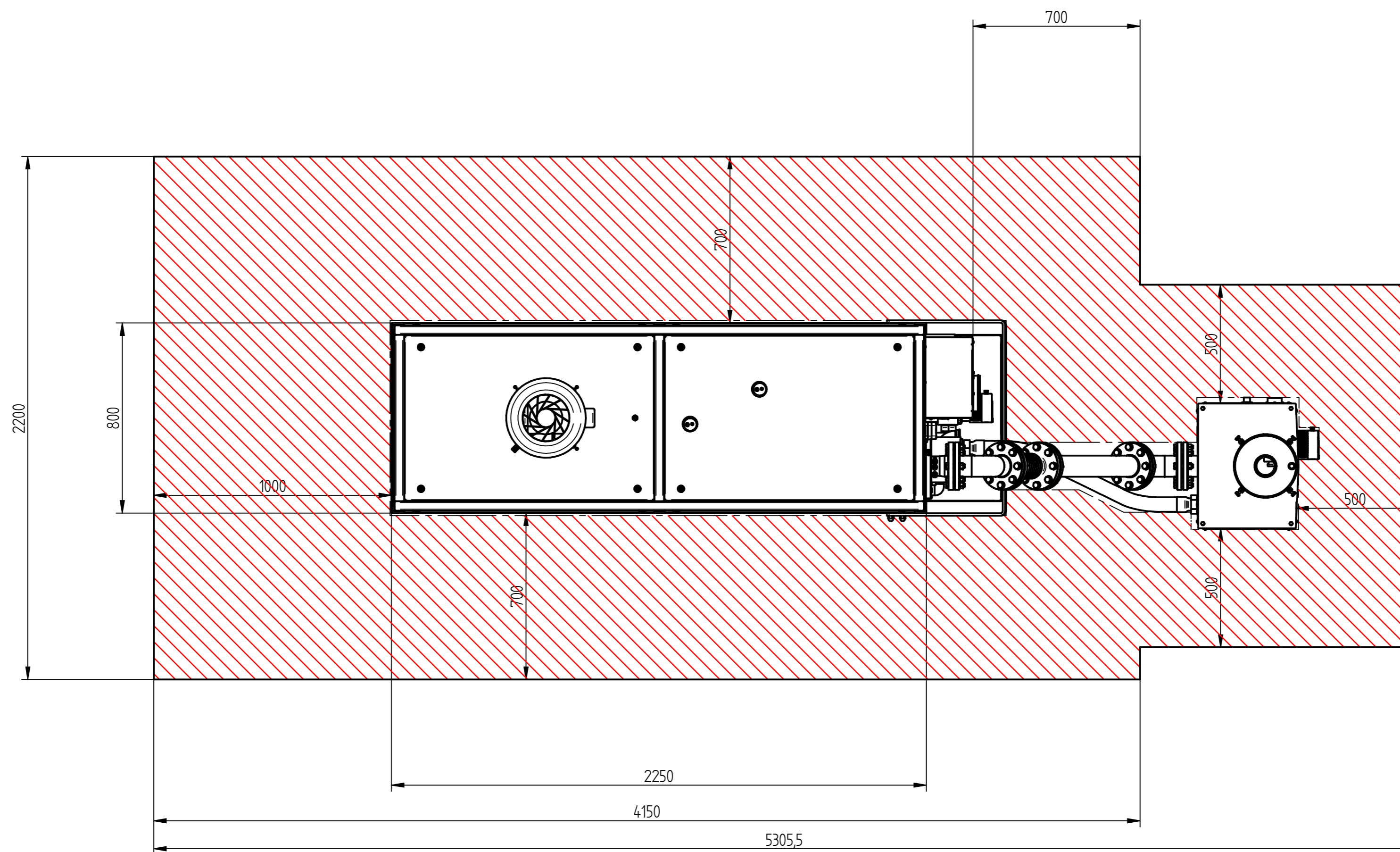


Deutsch		
Position	Bezeichnung	Anschlussstyp
A	Abgas	DN80-PN10
B	Rücklauf	2" AG
C	Vorlauf	2" AG
D	Erdgas	1" IG
E	Schutzbügel (demonierbar)	
F	Verbrennungsluft	DN150
G	Abluft	DN200
H	Kondensat	3/4" AG
I	Zuluft	
J	Rücklauf Pufferspeicher	2" AG
K	Anschluss Batteriekasten	

English		
position	designation	connection type
A	exhaust	DN80-PN10
B	flow return	2" AG
C	flow heating	2" AG
D	natural gas	1" IG
E	transport protection (removable)	
F	combustion air	DN150
G	exhaust air	DN200
H	condensate	3/4" AG
I	supply air	
J	flow return buffer tank	2" AG
K	connection battery box	

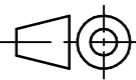
<b>ATTENTION</b> Drawing data is for information purpose only. Information on other dimensions and bending allowances do not disburse the checker from inspection.				Tolerances according	weight	scale 1:10	particularity
					2250,0 kg		material:
						title	
						50.0 kW (eU) BW	
				This drawing must not be copied, forwarded, reproduced or otherwise used in any other way.		part number:	row part number:
						sheet 1	sheet 2
ind.	modification	date	name	orig.	modification	current index	material, thickness



Mindestanforderung freier Wartungsraum  
(Minimum maintenance room)

Mindestanforderung freier Wartungsraum  
über BHKW 500mm ohne Lüfter  
(Minimum maintenance room above CHP 500mm  
without ventilator)

Sollten die Mindestanforderung nicht eingehalten werden können, nehmen Sie bitte Kontakt zum Hersteller auf, um Lösungsmöglichkeiten abzusprechen.  
If the minimum requirement can not be met, please contact the manufacturer to discuss possible solutions.

ATTENTION Unwinding data is for information purposes only! Information on outer dimensions and bending allowances do not dismis the checker from inspection!			Tolerances according:	weight: 2250,0 kg	scale: 1:15	particularity:
			material:			
			title: 50.0 kW (eU) BW			
			This drawing must not be copied, forwarded, reproduced or otherwise used in any other way.		part number:	raw part number:
					sheet: 2	2 sheets
ind.	modification	date	name	origin	modification:	current index:
					material thickness:	