

1:20

Deutsch

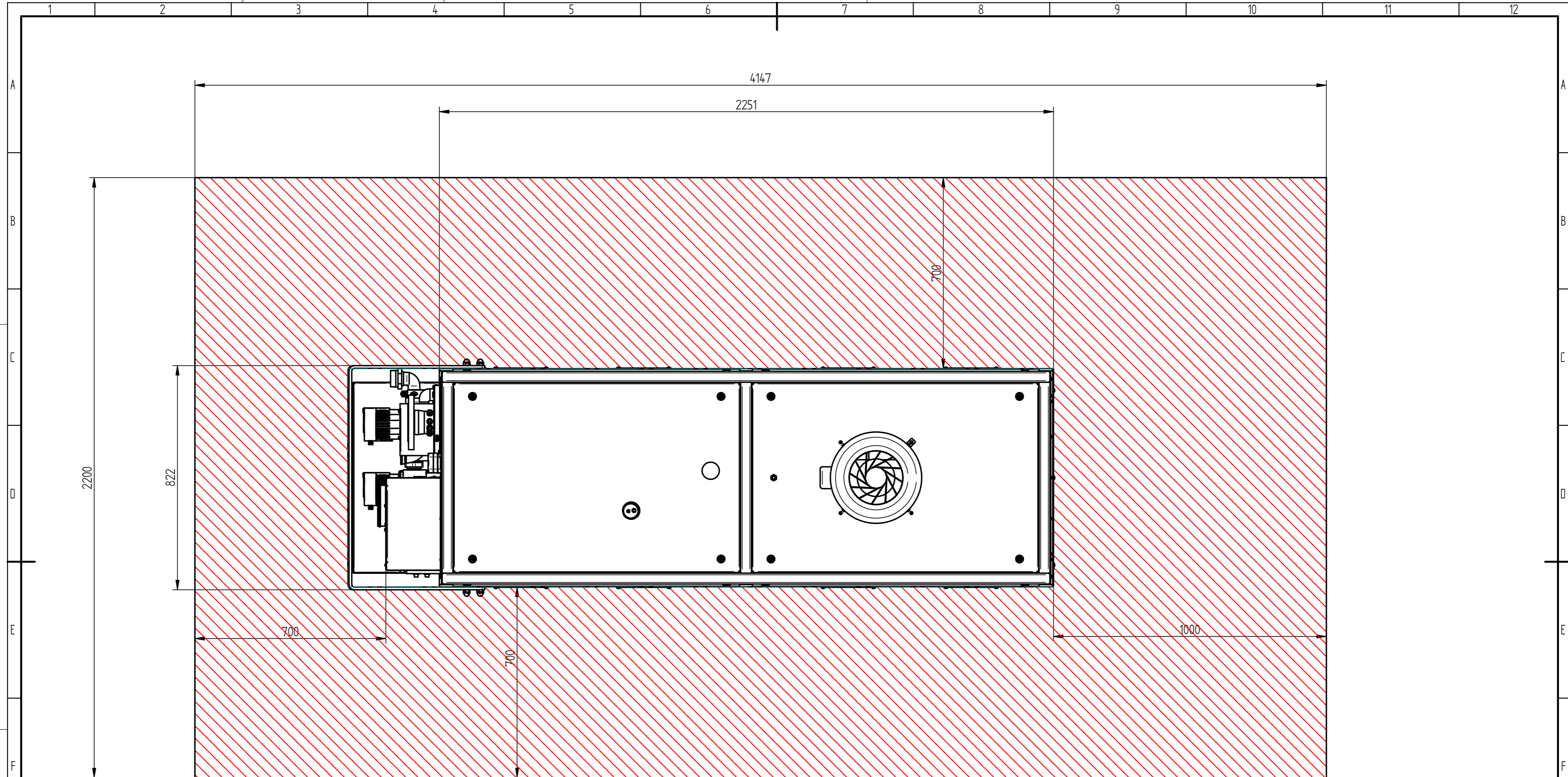
Position	Bezeichnung	Anschlussstyp
A	Abgas	DN80-PN10
B	Rücklauf	2" AG
C	Vorlauf	2" AG
D	Erdgas	1" IG
E	Schutzbügel (demontierbar)	
F	Verbrennungsluft	DN150
G	Abluft	DN200
H	Kondensat	3/4" AG
I	Zuluft	
J	Anschluss Batteriekasten	

English

position	designation	connection type
A	exhaust	DN80-PN10
B	flow return	2" AG
C	flow heating	2" AG
D	natural gas	1" IG
E	transport protection (removable)	
F	combustion air	DN150
G	exhaust air	DN200
H	condensate	3/4" AG
I	supply air	
J	connection battery box	

<p><b>ATTENTION</b> Drawing data is for information purposes only. Information on other dimensions and bending allowances do not disengage the checker from inspection.</p>		<p>Tolerances according to ISO 2768</p>	<p>weight: 2250,0 kg</p>	<p>scale: 1:10</p>	<p>particularity:</p>
		<p>material:</p>			
		<p>title: 50.0 kW (eU) S/H</p>			
		<p>This drawing must not be copied, forwarded, reproduced or otherwise used in any other way.</p>		<p>part number:</p>	<p>row part number:</p>
ind.	modification	date	name	signature	modification
					current index
					material thickness

sheet 1 of 2



Mindestanforderung freier Wartungsraum  
(Minimum maintenance room)

Mindestanforderung freier Wartungsraum  
über BHKW 500mm ohne Lüfter  
(Minimum maintenance room above CHP 500mm  
without ventilator)

Sollten die Mindestanforderung nicht eingehalten werden können, nehmen Sie bitte Kontakt zum Hersteller auf, um Lösungsmöglichkeiten abzusprechen.  
If the minimum requirement can not be met, please contact the manufacturer to discuss possible solutions.

ATTENTION: Unwinding data is for information purposes only! Information on outer dimensions and bending allowances do not dismis the checker from inspection!				Tolerances according to:		weight:	scale: 1:10	particularity:	
						2250,0 kg	material:		
						title:			
						50.0 kW (el) S/H			
				This drawing must not be copied, forwarded, reproduced or otherwise used in any other way.		part number:	raw part number:	sheet: 2	
								2 sheets	
ind.	modification	date	name	origin:	modification:	current index:	material thickness:		